

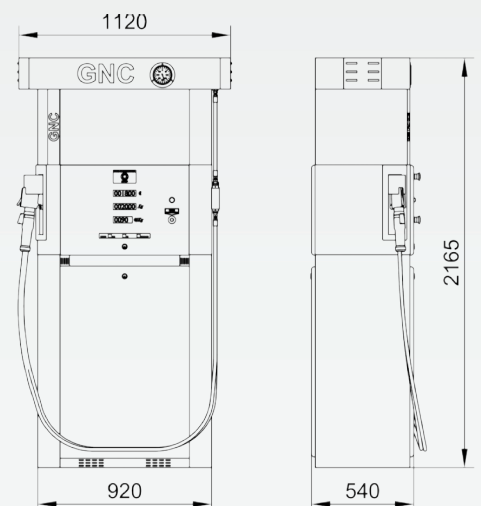
# E30 CNG R



Dispenser for Compressed Natural Gas (CNG) or Biogas. Equipped with the most stringent safety systems required to handle CNG. Designed with the latest technology in mind and meeting OIML, ATEX and PED requirements.

Manufactured with high quality materials and controls which guarantee the durability and reliability established for many years by the CETIL brand.

Can be connected to payment and POS systems.



# E30 CNG R

## Electronics

### EAS2 Electronic Calculator

- High contrast, wide viewing angle LCD display indicating mass or volume, price and unit price.
- Self diagnosis.
- Storage of last:
  - 150 deliveries per fueling point
  - 250 errors
- Easy maintenance thanks to its modular design.
- Electronic totalizer of delivered mass or volume and number of deliveries.
- Start-stop push button.
- Optical indicator of the state of the delivery.
- Temperature compensated fill pressure.

## Hydraulics

- Robust and precise mass meter, up to 80 Kg/min.
- Inlet filter to guarantee a clean gas.
- Up to three inlet pressure stages.
- High quality NGV1 nozzle for car, truck and bus delivery.
- Optional NGV2 nozzle.
- Hoses equipped with break away valves.
- Hose pressure manometer.
- Multiple elements to guarantee a safe operation of the hydraulic system.

VERSION	Hoses	Meters	Stages	Displays
E30 CNG R 11 F	1	1	1	1 (one side only)
E30 CNG R 12 F	1	1	2	1 (one side only)
E30 CNG R 13 F	1	1	3	1 (one side only)
E30 CNG R 11	1	1	1	2 (one per side)
E30 CNG R 12	1	1	2	2 (one per side)
E30 CNG R 13	1	1	3	2 (one per side)
E30 CNG R 21	2	2	1	2 (one per side)
E30 CNG R 22	2	2	2	2 (one per side)
E30 CNG R 23	2	2	3	2 (one per side)



Cetil Dispensing Technology, S.L.  
Pelaya, 37 (P.I. Río de Janeiro)  
28110 Algete (Madrid) Spain  
Phone: (+34) 916 287 651  
Fax: (+34) 916 287 653  
cetil@cetil.com | www.cetil.com

